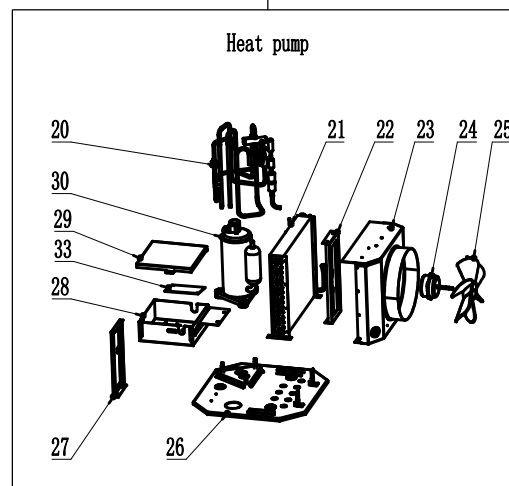


Number	Describe	Number	Describe
1	Plastic footing	18	Screw
2	Chassis	19	Air net
3	Locating block	20	Pipe assembly
4	Outside housing	21	Evaporator
5	Handle	22	Fan support
6	Electric heating bottom box	23	Fan box assembly
7	Sealing rubber ring	24	Fan motor
8	Electric heating box cover	25	Blade
9	Inner tank	26	Chassis of the heat pump
10	Copper coil	27	Electrical box bracket
11	Drain nozzle	28	Electrical box
12	Drain pan	29	Electrical box cover
13	Nut	30	Compressor
14	Screw	31	Electrical heater
15	Top cover	32	Anode
16	Decorative tape	33	PCB board
17	Decorative cover	34	Controller



## Spare parts list of All in one heat pump water heater

YT-150TC1/YT-250TC1

13160001000085	Compressor	1	
13040001000118	Fan blade	1	
32210019000040	fins-coil evaporator	1	
13070002000337	Safe valve (YT-150TCA)	1	
13080007000482	LCD controller	1	
13080004000163	Fan motor	1	
13070002000305	Four way valve coil	1	
13070002000800	Electronic expansion valve	1	
13080002000670	PCB board	1	
13080001000895	Coil /Ambient/Exhaust/Suction sensor	1	
13080001001025	Water inlet/outlet sensor	1	
13080003000630	High pressure switch	1	
13080003000402	Realy	1	
13080008000225	Compressor capacitor	1	
13080008000696	Fan capacitor	1	
13080010001236	Four way valve	1	
13080010000501	Electronic expansion valve circle	1	
13070005002109	Mg anode(YT-150TCA)	1	
13070002000966	Safe valve(YT-250TC1)	1	
13070005005235	Mg anode(YT-250TC1)	1	
32220004000291	Outside housing(YT-150TCA)	1	
32220004000373	Outside housing(YT-250TCA)	1	
13110001000848	Sealing rubber ring(YT-150TCA)/(YT-250TC1)	1	
32200018000068	Top cover (YT-150TCA)	1	
32200007000261	Top cover (YT-250TCA)	1	
32201001000036	Air net(YT-150TCA)/(YT-250TC1)	1	